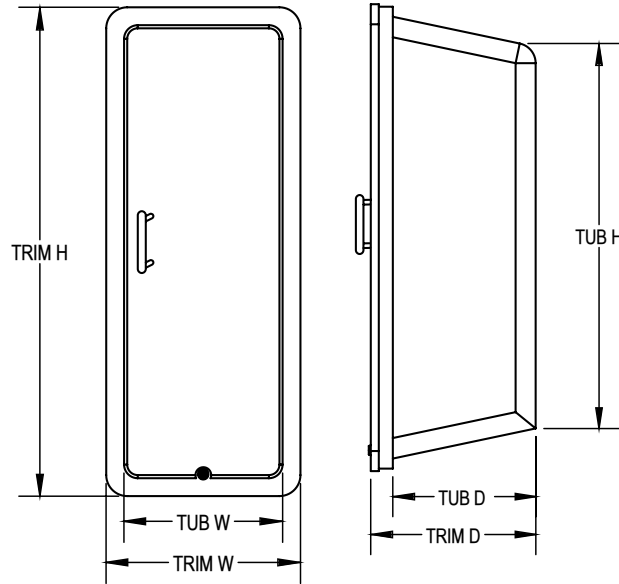


FIRE EXTINGUISHER CABINET - CHIEF PULL TO OPEN

Cato's affordable fire extinguisher series, manufactured in the U.S, provides a dent and rust proof alternative to metal. Cato's Chief Pull to Open series fire extinguisher cabinets feature a security hexagonal lock and key; along with a unique hinged acrylic door style with pull handle to allow quick access in case of fire.



Chief Pull to Open 105-10 RRC-Z



SPECIFICATIONS:

Tub and Frame Material: Injection molded high impact crystal polystyrene in .110 thickness with ultra-violet inhibitors for UV resistance

Tub and Trim Colors: Available in red or white

Cover Material: .080 Acrylic front panel

Acrylic Colors: Available in clear or red (for best outdoor UV resistance)

Decals: UV resistant "FIRE" decal included

Hardware: Black ABS Handle 3.75" long with a 1.25" projection, two stainless steel hinges, a zinc plated roller catch with strike plate, and hexagonal lock with key installed

Sizes: Refer to table, listing model sizes with their compatible extinguishers from 2.5 - 20lbs

Options: Extinguisher tray

QTY	MODEL	TUB, TRIM & COVER COLOR	OPENING METHOD	TUB INNER DIMENSION H x W x D	TRIM OUTER DIMENSION H x W x D	WALL OPENING	WEIGHT (LBS.)	COMPATIBLE FIRE EXTINGUISHERS
	105-5	WWC - White tub, white trim, with clear cover	Z - Pull Handle	19-3/4" x 8" x 6-3/8"	19-1/4" x 8-1/4" x 6-3/4"	Surface Mount	5	Cosmic 2.5-5 Galaxy 2.5-5 Mercury 2.5
		RRC - Red tub, red trim, with clear cover						
	105-10	WWC - White tub, white trim, with clear cover	Z - Pull Handle	23" x 9 1/4" x 7"	23-1/4" x 9-1/4" x 7-1/4"	Surface Mount	6	Cosmic 2.5-10 Galaxy 2.5-10 Mercury 2.5-11 Sentinal 5
		RRC - Red tub, red trim, with clear cover						
	105-20	WWC - White tub, white trim, with clear cover	Z - Pull Handle	26" x 9" x 8"	28-1/2" x 11-1/2" x 9 1/2"	Surface Mount	6	Cosmic 2.5-20 Galaxy 2.5-20 Mercury 2.5-15.5 Sentinel 5, Saturn 15
		RRC - Red tub, red trim, with clear cover						



9702 Newton Avenue S, Bloomington, MN 55431

800-554-6077
sales@activarcpg.com
www.activarcpg.com

Distributor:		Project:
Contractor:		Approved By:
Date:		Architect:
Scale: N/A	Pages: 1 of 2	Item #:

FIRE EXTINGUISHER CABINET - CHIEF PULL TO OPEN

DECALS	
ITEM	DESCRIPTION
CL-401R	Fire Extinguisher "Fire" with red background
CL-401W	Fire Extinguisher "Fire" with white background
CL-403	Arrow 4"X18"
CL-412	Fire Extinguisher 1"X15" "Fire Extinguisher"
CL-413	Arrow 4"X12" "Fire Extinguisher"
CL-416	"Felony Warning" Red
CL-417	"In Case of Fire Pull Handle Firmly"
CL-418	"Pull to Open"
CL-422	"Extinguisher Missing"
CL-423	"Kitchen Suppression"
CL-426	Chromium Extinguisher Label

ACCESSORIES	
ITEM	DESCRIPTION
10300	Extinguisher Tray (not available on 105-20)



Fire Extinguisher Tray Accessory

Decals Included



CL-401 Decal available with red or white background



10006R Red Hex Key

CHIEF PULL TO OPEN REPLACEMENT PARTS	
ITEM	DESCRIPTION
10505-Z	105-5 White Frame and Door Assembly
10555-Z	105-5 Red Frame and Door Assembly
11005-Z	105-10 White Frame and Door Assembly
11055-Z	105-10 Red Frame and Door Assembly
10001W	White Lock Assembly
10001R	Red Lock Assembly
10603	Black Handle Assembly